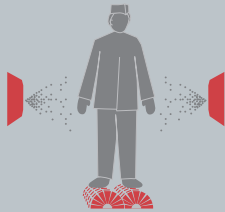


Cleaning basin type 20520 Perfect function and design



HYGIENE



Foto 1



Foto 2





Photo 3: Cleaning trough type 20520-2W with knee-operated valve

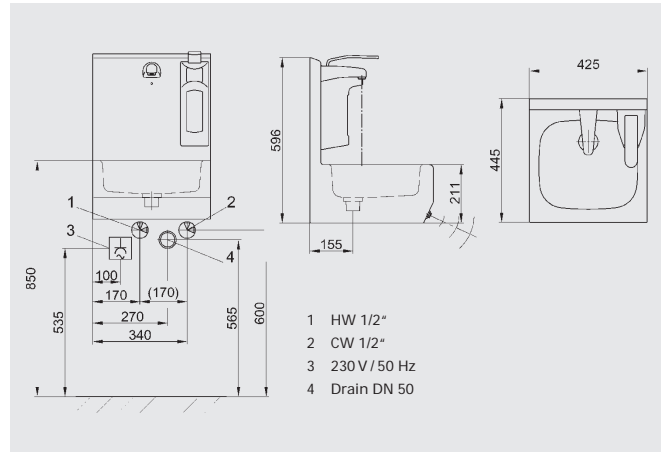


Photo 4

Cleaning basins and cleaning troughs type 20520, alternatively for wall, platform or ground fixing with up to 6 washing places.

Drawn basin body with back panel completely made of stainless steel, material no. 1.4301 and a hygiene surface with a surface roughness of Rz 0.4.

Contactless starting of the water flow is achieved by an electronic system placed in the knee area working with a 24 V low voltage. If desired, the activation can be effected either by means of mechanical kneeoperated valves or a 9V battery control system).

By avoiding contamination, the function system guarantees a maximum of hygiene.

The cleaning basins and cleaning troughs type 20520 W correspond to the EU and US hygiene requirements.

All basin and/or cleaning trough models can be equipped with dispensers for soap, disinfectant and towels.



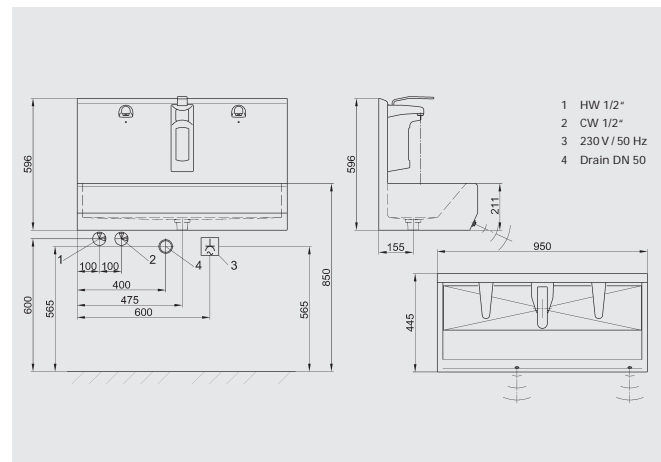
Photo 5

Technical data

Typ 20520 W

Measurements outside:	D x W x H =
	445 x 425 x 596 mm
Power supply:	230 V, 50 - 60 Hz
Protection class:	IP 65
Thermo-mixing valve (optional):	1/2", continuously adjustable von 35 - 65° C
Drain valve:	R 1 1/2"
Voltage:	24 V DC
Option:	Battery control 9 V DC

Technical changes are subject to alteration!



Cleaning basins and cleaning troughs type 20520 are completely equipped with internal pipework and can directly be put into operation (connection and mains plug included). Check valves, siphon, sealing and small parts, however, do not belong to the delivery.



more than Hygiene

- ≡ Cutting
- ≡ Packing
- ≡ Separator
- ≡ Logistic
- ≡ Automatic
- ≡ Service
- ≡ Storage
- ≡ Ergonomic
- ≡ Engineering

ITEC GmbH

Auf dem Tigge 60 b + c
D-59269 Beckum-Westfalen
Deutschland
Phone +49 25 21 - 85 07 0
Fax +49 25 21 - 85 07 90
www.itec.de • info@itec.de